

Flexible operation on small ramps and uneven ground

Powerful, maintenance-free 3-phase AC drive motor

Manoeuvrable and compact

Sensitive lifting and lowering

Comfortable operation



EJC 112 with ramp comfort

Electric pedestrian controlled truck (1,200 kg)

The strength of the EJC series 1 pedestrian stackers lies in transporting over short distances and stacking and retrieving up to 3600 mm high. With a narrow aisle width, the EJC is extremely light and safe to manoeuvre even in restricted areas. There is also the option to move the truck in crawl speed mode with the tiller in the upright position.

The powerful 24-V 3-phase AC drive motor with its optimised efficiency achieves high speeds and excellent acceleration in any situation. This enables the EJC Series 1 pedestrian stacker to offer the best conditions for fast and efficient goods throughput.

The ramp comfort feature activates a simple support arm lift. This increases the ground clearance significantly – in particular around the front support arm. The advantage: Easy crossing of thresholds, uneven surfaces or small ramps without grounding.

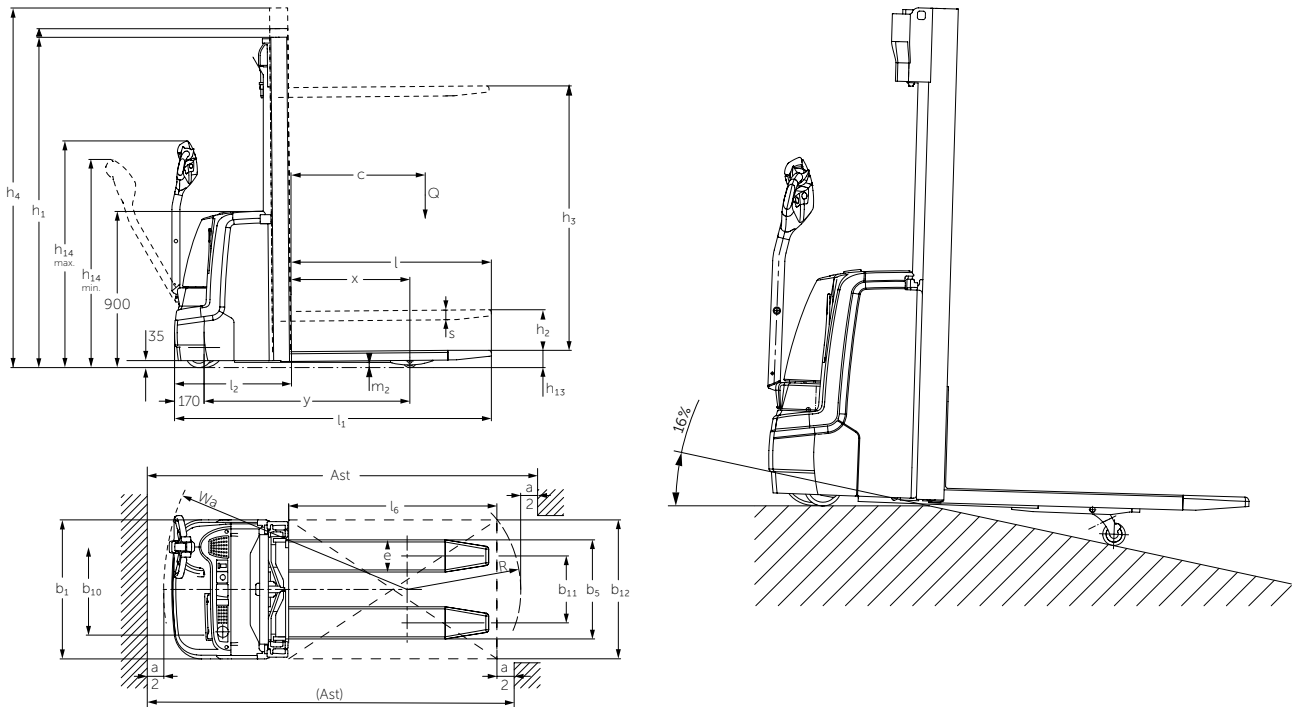
Another advantage is the very precise and sensitive lift control. In particular, it makes it easier to stack large loads in narrow racking. The low noise levels whilst lifting slowly reduce operator fatigue.

The proportional hydraulics ensure that loads can be lowered gently either to the ground or into the racking. The EJC 112 draws its energy from batteries with capacities of up to 200 Ah. An optional built-in charger allows the integrated battery to be easily and reliably charged at any mains socket. A quick charge function is also optionally available.

Practical storage compartments on the dashboard and on the front of the truck ensure that all the tools and equipment you may need, such as pens, knives or documents, are within easy reach.



EJC 112 with ramp comfort



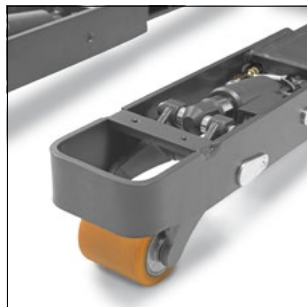
Standard mast designs EJC 112 RK				
	Lift h_3 (mm)	Lowered mast height ¹⁾ h_1 (mm)	Free lift h_2 (mm)	Extended mast height h_4 (mm)
Duplex ZT	2500	1750	100	2975
	2700	1850	100	3175
	2900	1950	100	3375
	3200	2100	100	3675
	3600	2300	100	4075
	4100	2550	100	4575
Duplex ZZ	4300	2650	100	4775
	2500	1700	1225	2975
	2900	1900	1425	3375
	3200	2050	1575	3675
	3600	2250	1775	4075
	4100	2500	2025	4575
	4300	2600	2125	4775

¹⁾ with 100 mm free lift

Technical data in line with VDI 2198

Identification	1.1	Manufacturer (abbreviation)		Jungheinrich
	1.2	Model		EJC 112 RK
	1.3	Drive		Electric
	1.4	Manual, pedestrian, stand-on, seated, order picker operation		Pedestrian/tiller
	1.5	Load capacity/rated load	Q t	1.2
	1.6	Load centre distance	c mm	600
	1.8	Load distance	x mm	683
	1.9	Wheelbase	y mm	1,186
	Weights	2.1.1	Net weight incl. battery (see row 6.5)	kg
2.2		Axle loading, laden front/rear	kg	650 / 1,380
2.3		Axle loading, unladen front/rear	kg	580 / 250
Wheels / frame	3.1	Tyres		PU
	3.2	Tyre size, front	mm	Ø 230 x 70
	3.3	Tyre size, rear	mm	Ø 85x90
	3.4	Additional wheels (dimensions)	mm	Ø 140x54
	3.5	Wheels, number front/rear (x = driven wheels)		1x +1/2
	3.6	Tread width, front	b ₁₀ mm	507
	3.7	Tread width, rear	b ₁₁ mm	400
Basic dimensions	4.2	Mast height (lowered)	h ₁ mm	1,950
	4.3	Free lift	h ₂ mm	100
	4.4	Lift	h ₃ mm	2,900
	4.5	Extended mast height	h ₄ mm	3,375
	4.9	Height of tiller in drive position min. / max.	h ₁₄ mm	850 / 1,305
	4.15	Height, lowered	h ₁₃ mm	90
	4.19	Overall length	l ₁ mm	1,822
	4.20	Length to face of forks	l ₂ mm	672
	4.21	Overall width	b ₁ /b ₂ mm	800
	4.22	Fork dimensions	s/e/l mm	56 / 185 / 1,150
	4.25	Width across forks	b ₅ mm	570
	4.32	Ground clearance, centre of wheelbase	m ₂ mm	30
	4.33	Aisle width for pallets 1000 × 1200 crossways	Ast mm	2,285
4.34	Aisle width for pallets 800 × 1200 lengthways	Ast mm	2,259	
4.35	Turning radius	W _s mm	1,405	
Performance data	5.1	Travel speed, laden/unladen	km/h	6 / 6
	5.2	Lift speed, laden/unladen	m/s	0.12 / 0.22
	5.3	Lowering speed, laden/unladen	m/s	0.33 / 0.33
	5.8	Max. gradeability, laden/unladen	%	8 / 16
	5.10	Service brake		regenerative
Electrics	6.1	Drive motor, output S2 60 min.	kW	1.0
	6.2	Lift motor, output at S3 (on time) 12%	kW	2
	6.3	Battery as per DIN 43531/35/36 A, B, C, no		British Standard
	6.4	Battery voltage/nominal capacity K5	V/Ah	24 / 200
	6.5	Battery weight	kg	185
	6.6	Energy consumption according to VDI cycle	kWh/h	0.93
Misc.	8.1	Type of drive control		AC speedCONTROL
	8.4	Sound pressure level at operator's ear as per EN 12053	dB (A)	62

Benefit from the advantages



Ramp comfort for uneven floors and gradients

2 robust cylinders increase the ground clearance under the support arms. The slight backward tilt of the truck brings the load into a safe and stable position. This allows the EJC to negotiate thresholds, undulating gradients and uneven floors.

Innovative drive and control technology

Motors with 3-phase AC technology offer more efficiency while simultaneously reducing operating costs thanks to the perfect match with the controllers developed in-house. The advantages are:

- High efficiency levels with excellent energy management.
- Powerful acceleration.
- Rapid direction change.
- Maintenance-free drive motor.

Manoeuvrable and compact

Due to the short aisle width, optimum use is also possible without difficulty, even in confined spaces. If necessary, it is possible to continue working safely with the tiller upright and the crawl speed button pressed.

Precise and comfortable stacking and retrieval

Especially safe and efficient stacking and retrieval due to:

- Precise and gentle lifting of the load by speed-controlled hydraulic motor.
- Gentle depositing of loads using proportional hydraulics.
- Long safety tiller provides sufficient distance between operator and truck.
- Less noise produced with slow lifting via lift control.

Practical storage compartments

The EJC offers plenty of storage space for keeping tools and equipment within easy reach:

- Paper compartment in the front panel.
- Storage compartments in the dashboard panel.
- Clip pad (in combination with the optional metal cover).

Service-friendly technology

- Service access ports in the front apron allow solid tyres to be changed quickly.
- Support wheel with bayonet mechanism enables wheels to be changed with the truck only slightly raised.
- Tiller electronics sealed to protect against moisture and dirt as per IP 65.
- Electronic controls and built-in charger (optional) sealed to protect against moisture and dirt as per IP 54.

Long operating period with lead-acid battery

- Battery capacities up to 200 Ah ensure a long service life.
- Built-in charger (optional) for straight-forward charging at any standard 230-V mains socket (also available with rapid charging function for charging within a shift).

Additional equipment

- CanDis – Discharge indicator and hour meter.
- CanCode – access control via PIN code.
- Load guard.
- Connection option e.g. for terminal, scanner or printer.
- Particularly robust metal battery lid for heavy-duty applications.

Lithium-ion technology

- High degree of availability thanks to extremely short charging times.
- No battery exchange required.
- Cost savings due to longer service life and low maintenance compared with lead-acid batteries.
- No charging rooms and ventilation required as there is no build up of gas.
- Longer service life with 5-year Jungheinrich guarantee.

Jungheinrich UK Ltd.

Head Office:
Sherbourne House
Sherbourne Drive
Tilbrook
Milton Keynes MK7 8HX
Telephone 01908 363100
Fax 01908 363180

info@jungheinrich.co.uk
www.jungheinrich.co.uk

The German production facilities in Norderstedt, Moosburg and Landsberg are certified. **ISO 9001**
ISO 14001

Jungheinrich fork lift trucks meet European safety requirements.



JUNGHEINRICH